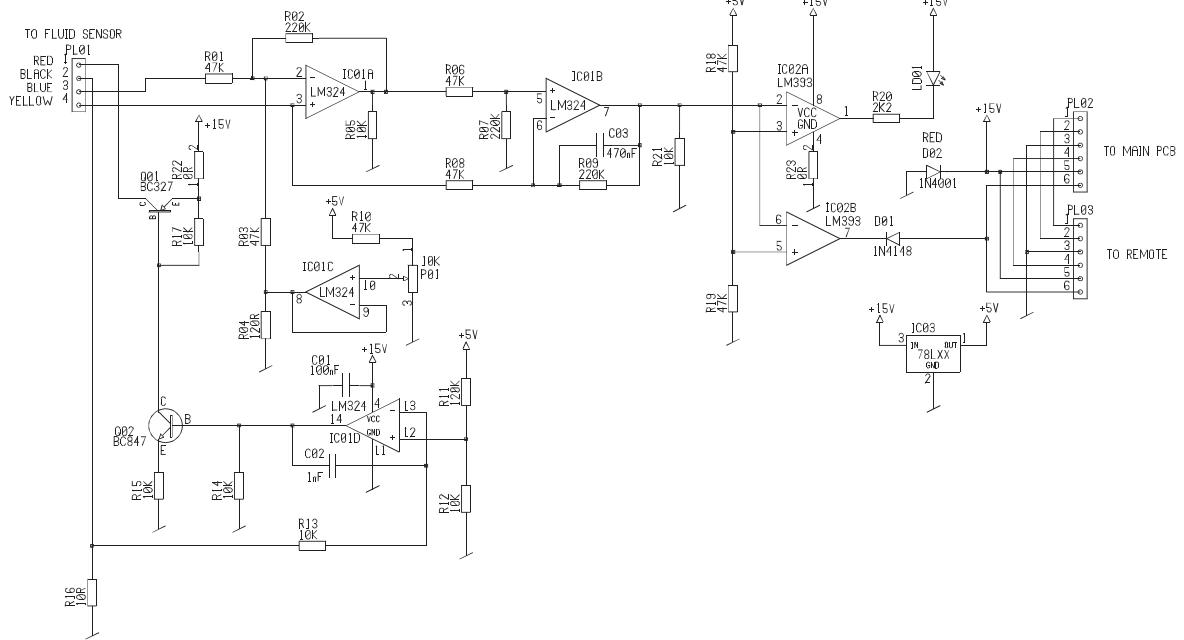
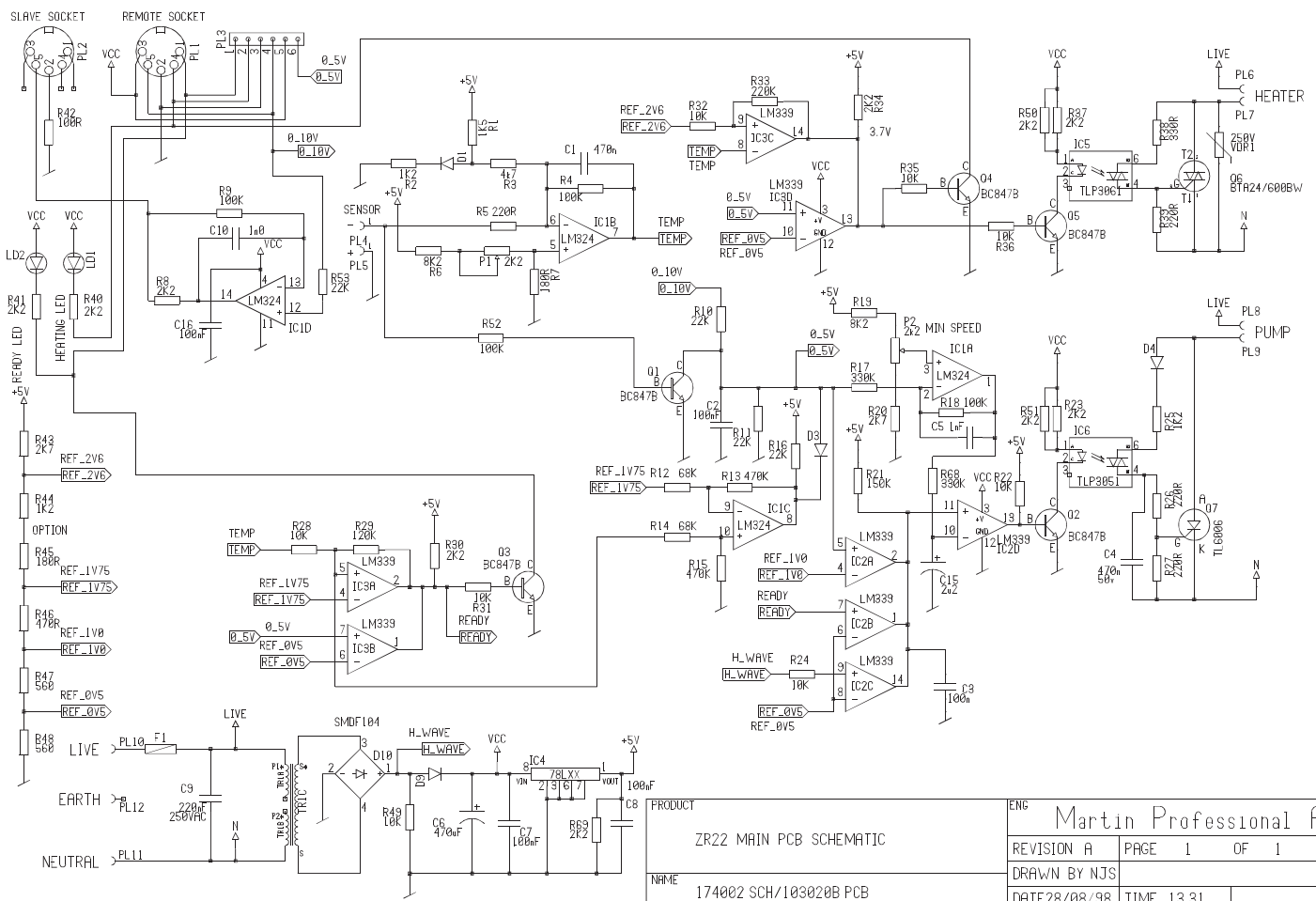


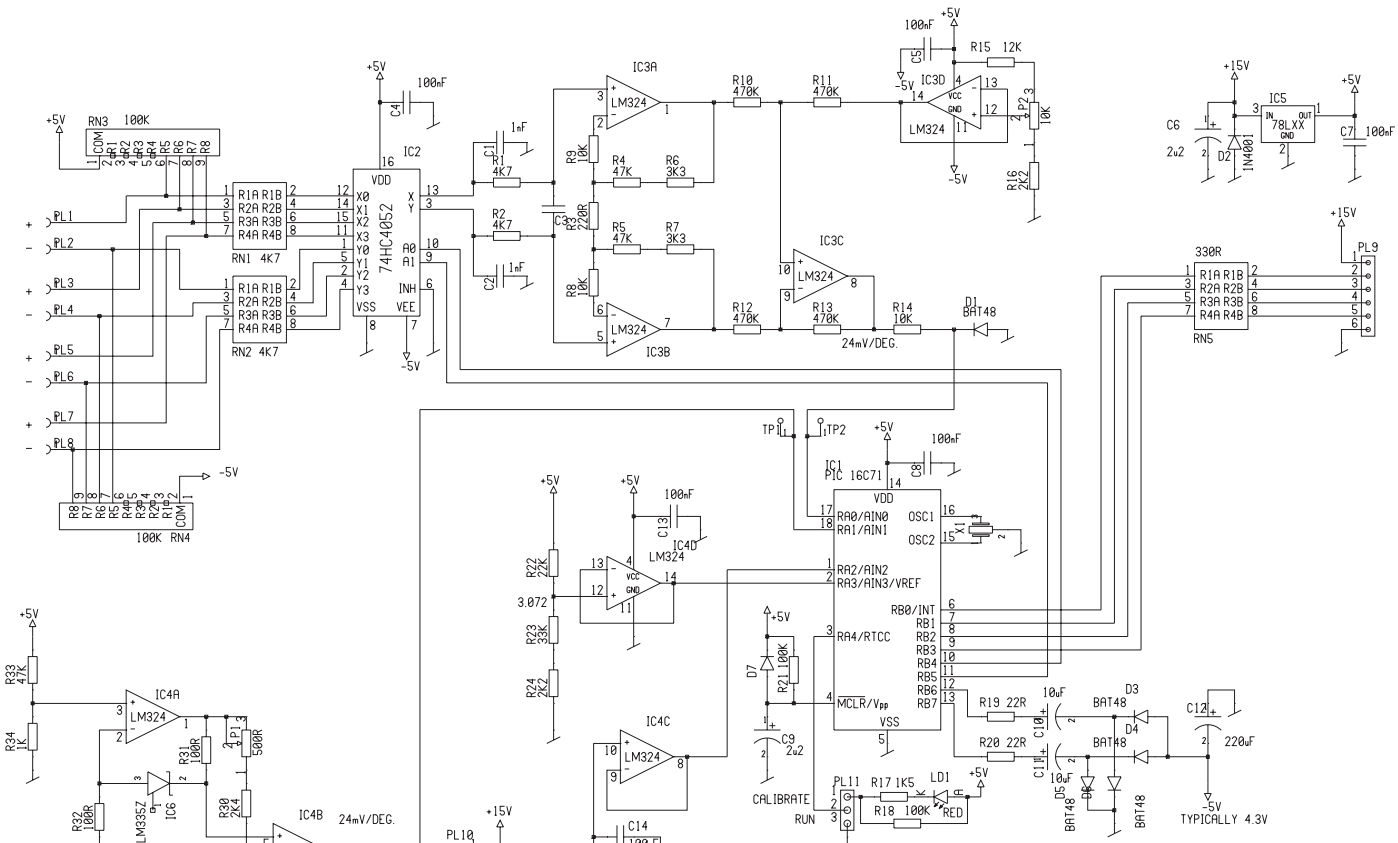
PRODUCT	HF GLACIATOR X STREAM		
NAME	DMX PCB	ENG.	MARTIN MANUFACTURING (UK) PLC
		REVISION A	PAGE 1 OF 1
		DRAWN BY NJS	
		DATE 13/1/4	TIME 14:14



PRODUCT		ENG	
TECHNO-HAZE FLUID INTERFACE PCB		JEM SMOKE PLC	
NAME	174012/37057A	REVISION A	PAGE 1 OF 1
		DRAWN BY NJS	
		DATE 19/5/98	TIME 13 59



PRODUCT		ENG	
ZR22 MAIN PCB SCHEMATIC		Martin Professional A/S	
NAME	174002 SCH/103020B PCB	REVISION	A
		PAGE	1 OF 1
		DRAWN BY	NJS
		DATE	28/08/98
		TIME	13:31



PRODUCT		ENG.	
HF GLACIATOR TEMPERATURE SENSOR		JEM SMOKE PLC	
NAME		REVISION A	PAGE 1 OF 1
HF_TEMP.SCH		DRAWN BY NJS	
		DATE 19/11/01	TIME 10:57